



DVR/NVR



CAMERA



ACCESSORY



SOFTWARE

Intelligent Network Camera

NT4100PT-IR-Z25W

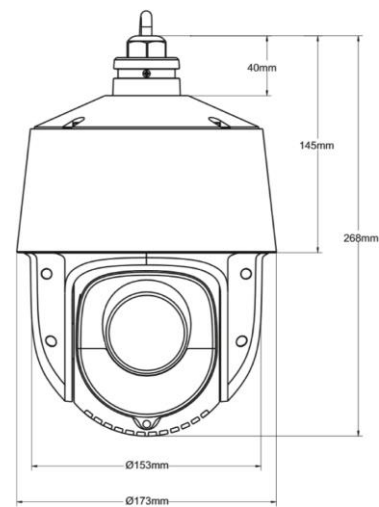
PTZ | Optical 25x | AI Object Detection | ONVIF | H.265 | PoE+



Key Features

- 1/2.8" Sony STARVIS CMOS sensor
- 4MP(2560×1440) resolution
- 25x(4.8~120mm) optical zoom
- Low luminance 0Lux (IR LED on)
- Smart IR / IR distance Max. 100m
- Deep-learning Engine
- AI-based object detection and tracking (person/vehicle)
- Smart detection and border protection
- Applying stealth technology
- H.265 / H.264
- DC 12V / PoE+(802.3.at)
- IP66

Dimension



Tech Note

AI SoC and high-sensitive Image Sensor

By applying AI SoC and Sony STARVIS CMOS sensor, the bright and clear image quality is implemented even in low-light environments and reliable AI results are provided

Smart Tracking

Deep-learning based engine can detect objects (person / vehicle)

If illegal intrusion is detected, follow up with PTZ camera till it is out of the limited area

Stealth Technology

Stealth driving technology allows smooth rotation and PTZ operation without vibration

H.265 supports

By high efficient compressing images, it can save up to 80% of bandwidth and storage space compared to H.264

ONVIF supports

ONVIF, a standard protocol, for compatibility and interoperability with third-party software and systems



DVR/NVR



CAMERA



ACCESSORY



SOFTWARE

Intelligent Network Camera

NT4100PT-IR-Z25W



Camera Module	
Image Sensor	1/2.8" progressive scan CMOS
Mini. Illumination	Color : 0.01Lux @ (F1.65 , AGC ON) B/W : 0.002Lux @ (F1.65 , AGC ON) 0 Lux with IR
Image setting	Flip, Mirror, Saturation, Brightness, Contrast, Sharpness, AGC, and AWB adjusted by client software / browser
Shutter Speed	1/1 s ~ 1/100,000 s
White Balance	Auto / Manual / Indoor / Outdoor
Gain	Auto / Manual
Day & Night	IR Cut filter
3D DNR	Auto / Manual
Image Enhancement	BLC, HLC, WDR(120 dB)
Defog	Electronic
EIS	YES
Picture overlay	Logo picture could be overlaid on video with 128x128pixels, 24bits jpg format
Lens	
Focus length	f=4.8-120mm lens, 25x optical
Zoom Speed	Approx. 3.6s (optical zoom, wide-tele)
Field of View	Horizontal:55° to 2.4°(wide-tele) Vertical: 33° to 1.4°(wide-tele) Diagonal: 61.5° to 2.8°(wide-tele)
Working distance	wide: 1.0m ~ INF; tele: 1.5m ~ INF
Aperture Range	F1.65 ~ F3.8 (wide-tele)
PTZ	
Pan Range	360°endless
Pan speed	Configurable, from 0.4~80°/s Max Preset speed: 80°/s
Tilt Range	From -5° to 90°
Tilt Speed	Configurable, from 0.4°~ 80°/s, Max Preset speed: 80°/s
Proportional Zoom	Yes
Preset	360
Cruise	8 cruises, up to 16 presets for each cruises
Track	4 tracks, record time over 3 minutes for each track
Power off memory	Support
Action mode	Preset / Cruise / Track / Auto Scan / Random Scan
PTZ Position Display	Support
Schedule Task	Preset / Cruise / Track / Auto Scan / Random Scan / Dome reboot
IR	
IR Distance	100m
Smart IR	Yes
Network	
Max Resolution	2560x1440
Main stream	2560x1440, 2048x1536, 1920x1080, 1280x960, 1280x720 25/30fps
Sub stream	25fps (704x576 , 640x480, 352x288) 30fps (704x480, 640x480, 352x240)
Third Stream	25fps (1920x1080, 1280x960, 1280x720, 704x576 , 640x480, 352x288) 30fps (1920x1080, 1280x960, 1280x720, 704x480, 640x480, 352x240)

Video compression	Smart H.264+ / H.264 / MJPEG
Audio compression	G.711 A / U
Audio Enhancement	NO
Protocols	HTTP, HTTPS, IPv4/IPv6, 802.1x, QoS, FTP, SMTP, UPnP, SNMP,DNS, DDNS, NTP, RTSP, RTP, TCP/IP, UDP, IGMP, ICMP,DHCP, PPPoE
Simultaneous live view	Up to 6 channels
User / Host	Up to 16 users, 3 levels: Administrator, Advanced User and Normal User
Security Measures	User authentication (ID and PW), Host authentication (MAC address) HTTPS encryption, IEEE802.1x port-based network access control; IP address filtering

Smart Features

Basic event	Motion detection, video tampering alarm, exception (network disconnected, IP address conflict, SD full, SD error)
Face recognize	Default off, max 15 human faces per second.
Face compare	Default off
Smart Detection	Intrusion detection, Line crossing detection, Region entrance detection, Region exiting detection, Unattended baggage detection, Object removal detection, Scene change detection, Support alarm triggering by human or vehicle, filtering flag/animal.
Smart Tracking	Manual Tracking, Auto Tracking (human or vehicle by software setting)

System Integration

Alarm Linkage	Alarm actions, such as Preset, Cruise, Track, Memory Card Video Record, Trigger Recording, Notify Surveillance Center, Upload to FTP/Memory Card, Send Email, etc.
Network Interface	1 RJ45 10M/100M Adaptive Ethernet (Support PoE 802.3at)
Storage	SD card slot inside, support micro SD/SDHC/SDXC, up to 256G
Web Browser	IE8-11,Chrome41.0-44, firefox30.0-51,Safari8.0-11

System Integration

Power	DC12V or PoE+ (802.3at, class 3), (Max 22W, include IR on, Heater on, Fan working)
Working condition	-30°C ~ 55°C (-22°F ~ 131°F), 90%RH less (non-condensing), Cold start at -20°C
Storage condition	-40°C ~ 65°C ; ≤ 95% RH
Protection	IP66 Level, 4000V Lightning Protection, Surge Protection and Voltage Transient Protection
Material	Aluminum Alloy ; Plastic +Glass Fiber 10%
Dimensions	Φ 173mm × 247mm (6.8" Φ × 9.7")
Weight	Approx. 2.1 Kg (13.22 lb.)
Certification	KC, CE, FCC